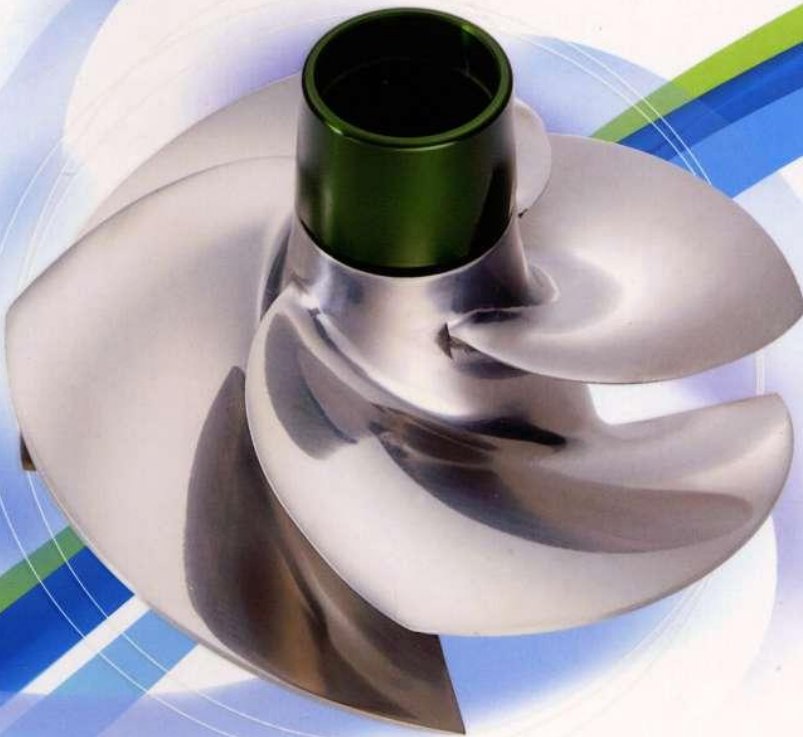


SOLAS[®] **New Zealand**

Where Speed Begins



2012-13 PWC CATALOG
Impeller | Jet Pump | Intake Grate
Official New Zealand Distributor

FREE PHONE

0800 PROPSHOP

0 8 0 0 7 7 6 7 7 4

www.solas.propellers.co.nz



FREE PHONE
0800 PROPSHOP
0 8 0 0 7 7 6 7 7 4



About SOLAS

SOLAS was founded in 1985 by Dr. Solas Y. J. Lin. SOLAS is now one of the most well known and trusted names in outboard, stern drive propellers and personal watercraft impellers. Our success is largely due to superior design and craftsmanship from team SOLAS.

Located in Taiwan, SOLAS combines world class research and design, highly skilled labor, cost effective material sourcing and a technologically advanced manufacturing facility to deliver the highest quality of products to its customers.

- We listen and care about the needs of our customers. Our passion is to ensure that our customers enjoy the latest advancements.
- SOLAS products are marketed on a global scale.
- SOLAS quality controls are of the highest standards in the impeller and propeller industry.

FREE PHONE
0800 PROPSHOP
0800 776 774



 **Designed for Champions**

Over the years SOLAS has sponsored many well known professional personal watercraft riders. The valuable feedback we receive from our sponsored professionals are taken into account and evaluated by our research and development team.





Research and Development

The SOLAS Research and Development Team have elevated Team SOLAS to be the world's largest manufacturer of propellers and impellers in the world. From propellers and impellers to high speed personal watercraft pump systems, SOLAS Research and Development has incorporated advanced production technology, and harsh field-testing into their designs.

With its CAD, CAM, and CAE capabilities, SOLAS will continue to develop high performance products to suit our customers' needs. At SOLAS we are dedicated to manufacturing world class marine propulsion systems.

Quality Control System

SOLAS has implemented a strict quality assurance program which includes all aspects of our manufacturing process including product design, raw material inspection, production monitoring and distribution control. SOLAS has even set up a state of the art testing apparatus to ensure that these strict standards are met. To enhance customer satisfaction, data from these quality control testing procedures are further analyzed to improve future product design and production capability.

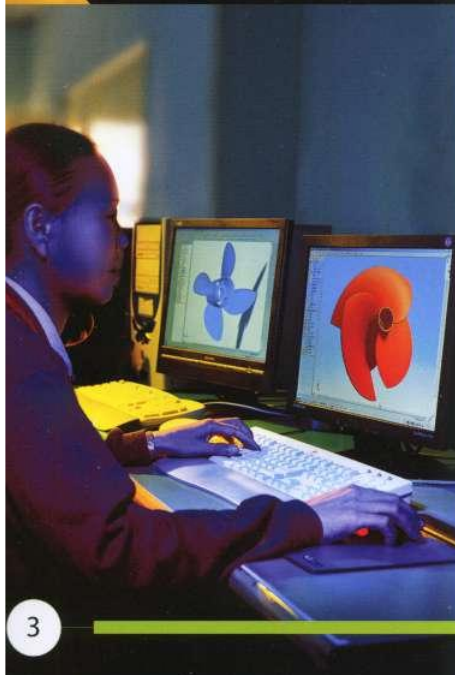
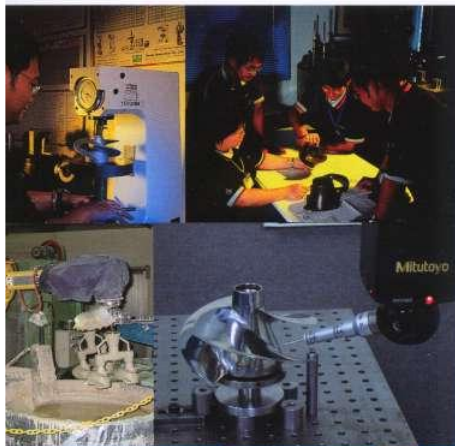
SOLAS is and remains certified by BSI, an award given only to the highest quality in manufacturing and production. SOLAS believes that continuous improvement and intensive research is necessary for our company and products to remain the best in the world. SOLAS is always willing to adapt and grow with it's customers.

www.solas.propellers.co.nz



ISO 9001 CERTIFIED

We are honored to have BSI (British Standards Institution) ISO 9001 certificate and the Symbol of Excellent Products from Taiwan Government. Total satisfaction of our customers is always our first priority.



Continuous Product Improvement

SOLAS has a wide range of propulsion designs from straight pitch impellers (like the Super Camber series, X Prop, and Concord) to our newly developed Dynafly series. SOLAS continually develops and improves its impellers.



Concord - The Power Torque Series

With features like a large blade area and a unique geometric blade design, the SOLAS Concord Impeller delivers remarkable thrust and extraordinary efficiency. As four stroke technology becomes mainstream in the PWC world, the Concord design truly enhances the engine characteristics, not only delivering incredible acceleration but excellent top end performance. From water skiing to high speed cruising, this technologically advanced power torque design with its radial leading edge will offer everything you could ask for in an impeller.



YF-CD



SRX-CD



HA-CD



SR-CD



KG-CD



ST-CD



PF-CD

FREE PHONE
0800 PROPSHOP
0 8 0 0 7 7 6 7 7 4

www.solas.propellers.co.nz



 **SOLAS**
NEW ZEALAND

Dynaflly -- Maximum Acceleration

Our new impeller is designed to give high compression ratio pumps a stronger acceleration with less cavitation. This impeller is capable of giving your PWC an incredible boost in its performance. The SOLAS product line includes Dynaflly impellers for the Kawasaki Ultra 150 pump and the Sea Doo 951 pump. SOLAS also has developed new impellers for other pumps. Please check the application chart for further details.



YG-DF



KH-DF



KP-DF



ST-DF

X-prop - High Speed & Ultimate Performance

The SOLAS X prop gives you the most powerful propulsion in the water from an advanced design that incorporates a high compression hub and cambered blades. Enthusiasts looking for speed and acceleration from the novice to the professional, will be satisfied using this impeller. You can trust the harsh field testing of the X prop by Team SOLAS.



SD-SC-XO



SD-SC-X

www.solas.propellers.co.nz



 **SOLAS**
NEW ZEALAND



Super Camber S-I-J-K-H - The Last Word of Impeller Evolution

The patented Super Camber S-I-J-K-H series with the rubber seal are even more streamlined. This reduces drag for the impeller while increasing volumetric flow of the pump at the same time, making the SOLAS Super Camber series arguably the best in the PWC market.



SD-SC-J



YB-SC-I

Super Camber A-B-C-D-E - For a Cost Effective Solution

The Super Camber A-B-C-D-E series remains one of the most popular products in the personal watercraft market. The Super Camber blade has increased flow and the thrust of the impeller.



YA-SC-A



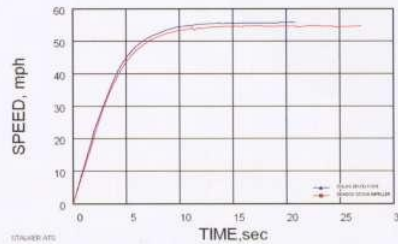
SD-SC-B

FREE PHONE
0800 PROPSHOP
0800 776 774

www.solas.propellers.co.nz

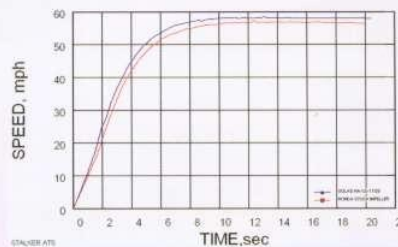
TECH NEWS

SR-CD-12/20, 11/19 -- Silent Raider



For the SEADOO 4-Tech, SOLAS developed the SR-CD-12/20 for the supercharged PWC and the SR-CD-11/19 for the stock 4-Tech. These newly developed 4 blade impellers offer better acceleration and top end performance. Solas has developed a new model of impellers specifically for 4 stroke PWCs. These impellers allow 4-stroke motors to achieve their full potential and best possible performance. These impellers will enhance the performance of your PWC.

HA-CD-17/29, 18/30 -- Make the Speed Up



The SOLAS HA-CD-17/29 and HA-CD-18/30 deliver more power and stronger acceleration for the 4-stroke Honda F-12X and R-12X. For your F-12, the SOLAS HA-CD 09/18 offers even more acceleration and a much better top end performance.

YF-CD-13/19 -- Make the Best Better



The SOLAS Concord Impeller will give the top rated Yamaha GP1300R better hole shot, faster acceleration, and better top end performance. The SOLAS YF-CD-13/19 can deliver much more power, gain speed, and correct cavitation problems. It features large area blades and special pitch distribution, plus it has a low friction polished mirror surface.



P/N: ST-HSV-155/83

Application:
SeaDoo 951cc PWC

High Performance JET PUMP

High Performance, durable, and affordable products are our commitment by Team SOLAS to our customers. With this commitment in mind, SOLAS proudly presents a new product line of jet pump series, for the personal watercraft market.

This new line of products is based on modern hydrodynamics design and intensive field testing from our SOLAS PWC racing champions. We are offering all-around high performance not only to professionals, but to our recreational PWC customers as well.



P/N: YPS-PM-140/74

Application:
Yamaha 700 cc PWC



P/N: SD-PM-140/60(6 VANE)

SD-PM-140/60T

(6 VANE & WITH TRIM SYSTEM)
Application:
SeaDoo 782/720/650/580 cc PWC



P/N: YDS-HS-155

Application:
Yamaha 1100, 1200 cc PWC
(1996~1999)



P/N: YFS-HS-155

Application:
Yamaha 1200 cc PWC
(1999~2002)



P/N: KG-HSV-148/74

Application:
Kawasaki 1071cc PWC



Intake Grates -- Ensure Maximum Flow

SOLAS' commitment to performance does not simply mean just speed. It means handling, dependability, durability, smooth operation, and much more. SOLAS intake grates are made of cast aluminum. Each is finished with an epoxy powder coating which makes SOLAS intake grates highly resistant to corrosion and abrasion.

Our airfoil section allows more water to flow consistently into the pump in order to eliminate cavitation and improved hook up ability. SOLAS offers several different models.



FREE PHONE
0800 PROPSHOP
0 8 0 0 7 7 6 7 7 4
www.solas.propellers.co.nz



 **How to select impellers for your personal watercraft:**

SOLAS
NEW ZEALAND

SOLAS is committed to producing personal watercraft impellers of the highest quality to provide the ultimate in PWC performance. SOLAS impellers are race proven around the world for their extreme durability and superior efficiency.

To provide your personal watercraft with the best possible performance, SOLAS offers the following guide to selecting the suitable impeller for your PWC:

| Selection Consideration | Impeller Solution |
|---|---|
| Q1: Engine RPM is too high or is exceeding manufacturers' recommendations at full throttle. | A1: Increase impeller pitch. |
| Q2: Engine RPM is too low or not reaching its rated RPM at full throttle. | A2: Decrease impeller pitch. |
| Q3: High altitude operation. | A3: Decrease impeller pitch. |
| Q4: Cold weather operation. | A4: Increase impeller pitch. |
| Q5: Top speed and performance under all conditions. | A5: Increase or decrease impeller pitch to reach the manufacturer's recommended RPM at full throttle. |

FREE PHONE
0800 PROPSHOP
0 8 0 0 7 7 6 7 7 4

www.solas.propellers.co.nz



SEA DOO Impellers

SEA DOO is registered trademark of Bombardier Recreational Products Inc.

| Engine cc | Model | Year | PUMP Diameter | RECOMMENDED SOLAS IMPELLER | | | |
|------------------|---------------------------------------|---------------------|---------------------------------|----------------------------|-------------------------|-------------------------|-------------------------|
| | | | | SERIES | STOCK Engine | LIMITED Engine | MODIFIED Engine |
| 1494 | RXT IS 260 / RXT-X 260 | 2009~ | 159mm | CONCORD | SRZ-CD-15/21 NEW | SRZ-CD-15/21 NEW | |
| | GTX LIMITED IS 260 | 2009~ | | CONCORD | SRZ-CD-15/21 NEW | SRZ-CD-15/21 NEW | |
| | RXP-X 255 | 2009~ | | CONCORD | SRZ-CD-15/21 NEW | SRZ-CD-15/21 NEW | |
| | RXP(215HP) | 2009~ | | CONCORD | SRZ-CD-14/19 NEW | SRZ-CD-14/19 NEW | SRZ-CD-15/20 NEW |
| | RXT(215HP) | 2009~ | | CONCORD | SRZ-CD-13/18 NEW | SRZ-CD-14/19 NEW | SRZ-CD-15/20 NEW |
| | WAKE PRO(215hp) | 2009~ | | CONCORD | SRZ-CD-13/18 NEW | SRZ-CD-14/19 NEW | SRZ-CD-15/20 NEW |
| | GTX(215hp) | 2009~ | | CONCORD | SRZ-CD-13/18 NEW | SRZ-CD-14/19 NEW | SRZ-CD-15/20 NEW |
| | RXP-X | 2008 | 159mm | CONCORD | SRX-CD-15/21 | SRX-CD-15/21 | |
| | RXT-X | 2008 | | CONCORD | SRX-CD-14/19 | SRX-CD-14/19 | |
| | RXP(215HP) | 2004~ | | CONCORD | SRX-CD-14/19 | SRX-CD-14/19 | SRX-CD-15/20 |
| | RXT(215HP) | 2005~ | | CONCORD | SRX-CD-13/18 | SRX-CD-14/19 | SRX-CD-15/20 |
| | GTX Limited(215HP) | 2005~ | | CONCORD | SRX-CD-13/18 | SRX-CD-14/19 | SRX-CD-15/20 |
| | WAKE SUPERCHARGED(215HP) | 2007~ | | CONCORD | SRX-CD-13/18 | SRX-CD-14/19 | SRX-CD-15/20 |
| | GTX 4-tech Limited Supercharge(185HP) | 2003-2004 | | CONCORD | SR-CD-12/20 | SR-CD-13/21 | SR-CD-13/21 |
| | GTX 4-tech Supercharge(185HP) | 2003-2006 | CONCORD | SR-CD-12/20 | SR-CD-12/20 | SR-CD-13/21 | |
| | GTS SE 155/ RXP(155HP) | 2007~ | 155.5mm | CONCORD | SR-CD-11/19 | SR-CD-12/20 | SR-CD-12/20 |
| | GTX / GTX 4-tech / GTX wake(155HP) | 2002~ | | CONCORD | SR-CD-11/19 | SR-CD-12/20 | SR-CD-12/20 |
| GTI / GTI SE 130 | 2006~ | CONCORD | | SR-CD-10/18 | SR-CD-11/19 | SR-CD-11/19 | |
| 951 | RXX | 2001-2002 | 148mm | CONCORD | KG-CD-15/21 | KG-CD-16/22 | KG-CD-16/22 |
| | XP / XP DI | 2000-2004 | | CONCORD | ST-CD-15/20 | ST-CD-16/21 | ST-CD-17/22 |
| | RX / RX DI | 2000-2003 | 155.5mm | CONCORD | ST-DF-13/19 | ST-DF-13/19 | ST-DF-14/20 |
| | | | | DYNAFLY | ST-DF-13/19 | ST-DF-13/19 | ST-DF-14/20 |
| | GTX/GTX DI | 2000-2003 | CONCORD | ST-CD-15/20 | ST-CD-16/21 | ST-CD-17/22 | |
| | | | DYNAFLY | ST-DF-13/19 | ST-DF-13/19 | ST-DF-14/20 | |
| | GSX Ltd. / GTX Ltd. / XP Ltd. | 98-99 | CONCORD | ST-CD-15/20 | ST-CD-15/20 | ST-CD-16/21 | |
| | LRV / LRV DI | 99-2003 | CONCORD | ST-SC-X0(14.5-17.5) | ST-SC-X0(14.5-17.5) | ST-SC-XI(15.5-18.5) | |
| | | | X Prop | ST-CD-14/19 | ST-CD-14/19 | ST-CD-15/20 | |
| | GSX Ltd. | 97 | X Prop | ST-SC-X0(14.5-17.5) | ST-SC-X0(14.5-17.5) | ST-SC-XI(15.5-18.5) | |
| X Prop | | | SE-SC-X(13-16) (LIMITED SUPPLY) | | | | |
| 782 | 3D / 3D BASE | 2005-2007 | 155.5mm | CONCORD | ST-CD-10/16 | ST-CD-10/16 | |
| | GSX RFI / GTX RFI | 99-2000 | | CONCORD | SF-CD-15/23 | SF-CD-16/24 | SF-CD-17/25 |
| | XP / SPX / GSX | 96-98 | CONCORD | SD-CD-15/23 | SD-CD-16/24 | SD-CD-17/25 | |
| | | | X Prop | SD-SC-X0(16.5-23.5) | SD-SC-X0(16.5-23.5) | SD-SC-XI(17-24) | |
| | GTX / GTX PRO | 96-98 | CONCORD | SD-CD-14/22 | SD-CD-15/23 | SD-CD-16/24 | |
| X Prop | SD-SC-X0(16.5-23.5) | SD-SC-X0(16.5-23.5) | SD-SC-XI(17-24) | | | | |
| 720 | GTI / GTI LE / GTI RFI | 2001-2005 | 155.5mm | CONCORD | ST-CD-10/16 | ST-CD-10/16 | |
| | GTS | 2001-2002 | | CONCORD | ST-CD-10/16 | ST-CD-10/16 | |
| | XP / SPX | 95-97 | CONCORD | SD-CD-14/22 | SD-CD-15/23 | SD-CD-16/24 | |
| | | | X Prop | SD-SC-X(16-23) | SD-SC-X(16-23) | SD-SC-X0(16.5-23.5) | |
| | | | UK SERIES | SD-SC-I(14-19) | SD-SC-J(15-20) | SD-SC-K(16-21) | |
| | GS / GSI | 97-2001 | CONCORD | SD-CD-14/22 | SD-CD-15/23 | SD-CD-16/24 | |
| | | | X Prop | SD-SC-X(16-23) | SD-SC-X(16-23) | SD-SC-X0(16.5-23.5) | |
| | GTI / GTS | 96-2000 | UK SERIES | SD-SC-I(14-19) | SD-SC-J(15-20) | SD-SC-K(16-21) | |
| | | | CONCORD | SD-CD-14/22 | SD-CD-15/23 | SD-CD-16/24 | |
| | | | X Prop | SD-SC-X(16-23) | SD-SC-X(16-23) | SD-SC-X0(16.5-23.5) | |
| | HX | 95~ | UK SERIES | SD-SC-I(14-19) | SD-SC-J(15-20) | SD-SC-K(16-21) | |
| X Prop | | | SD-SC-X(16-23) | SD-SC-X(16-23) | SD-SC-X0(16.5-23.5) | | |
| 650 | XP | 93-94 | 140mm | UK SERIES | SD-SC-I(14-19) | SD-SC-I(14-19) | SD-SC-J(15-20) |
| | SPX | 94-95 | | UK SERIES | SD-SC-I(14-19) | SD-SC-I(14-19) | SD-SC-J(15-20) |
| | GSX | 94-95 | | UK SERIES | SD-SC-I(14-19) | SD-SC-I(14-19) | SD-SC-J(15-20) |
| | GTX | 94-95 | | UK SERIES | SD-SC-I(14-19) | SD-SC-I(14-19) | SD-SC-J(15-20) |

SEA DOO JETBOAT

| Engine cc | Model | Horse Power | Year | PUMP Diameter | RECOMMENDED SOLAS IMPELLER | |
|-----------------|--------------------------------|-------------|-----------|---------------|----------------------------|--------------------------------------|
| | | | | | SERIES | STOCK Engine |
| 4-TEC / 1494cc | 205 Utopia / Utopia SE | 2 X 215HP | 2007~ | 159mm | CONCORD | SRX-CD-14/19 |
| | 180 Challenger / Challenger SE | 215 HP | 2007~ | 159mm | CONCORD | SRX-CD-14/19 |
| | 230 Challenger / Challenger SE | 2 X 215HP | 2007~ | 159mm | CONCORD | SRX-CD-14/19 |
| | | 2 X 155HP | | 155.5mm | CONCORD | SR-CD-11/19 |
| | 230 Wake | 2 X 215HP | 2007~ | 159mm | CONCORD | SRX-CD-14/19 |
| | | 2 X 155HP | | 155.5mm | CONCORD | SR-CD-11/19 |
| | Islandia SE | 2 X 155HP | 2007~ | 155.5mm | CONCORD | SR-CD-11/19 |
| | SPEEDSTER 150 | 155HP | 2007~ | 155.5mm | CONCORD | SR-CD-11/19 |
| | | 215 HP | 2007~ | 159mm | CONCORD | SRX-CD-14/19 |
| | SPEEDSTER 200 | 2 X 215HP | 2007~ | 159mm | CONCORD | SRX-CD-14/19 |
| | | 2 X 155HP | 2004~ | 155.5mm | CONCORD | SR-CD-11/19 |
| | SPEEDSTER WAKE | 2 X 215HP | 2006~ | 159mm | CONCORD | SRX-CD-14/19 |
| SPORTSTER 4-TEC | 155HP | 2004-2005 | 155.5mm | CONCORD | SR-CD-11/19 | |
| 951 | Sportster LE DI | | 2000-2005 | 155.5mm | CONCORD | ST-CD-15/20 |
| | Speedster | | 98-99 | | CONCORD | SF-CD-15/23 |
| 780(2) | Challenger 1800 | | 97-99 | 140mm | CONCORD | SD-CD-15/23 |
| 780 | Challenger | | 95-97 | | X Prop | SD-SC-X0(16.5-23.5) |
| | Speedster SK | | 99 | | X Prop | SD-SC-X(16-23) |
| | Speedster 1800 | | 99 | | X Prop | SD-SC-X(16-23) |
| 720(2) | Sportster LT | | 2002 | 140mm | X Prop | SD-SC-X(16-23) |
| | Challenger | | 98-2001 | | X Prop | SD-SC-X(16-23) |
| | Speedster | | 96-97 | | X Prop | SD-SC-X(16-23) |
| 720 | Explorer | | 97 | | X Prop | SD-SC-X(16-23) |
| | Sportster | | 95-98 | | X Prop | SD-SC-X(16-23) |
| 650(2) | Speedster | | 94-95 | | ABC SERIES | SD-SC-A(13-18,R) SD-SC-B(14-19,L) |
| | Sportster | | 95 | 140mm | ABC SERIES | SD-SC-A(13-18) |
| 650 | Explorer | | 95-96 | | ABC SERIES | SD-SC-A(13-18) |
| | Explorer | | 93-95 | | ABC SERIES | SD-SC-A(13-18) |

SEA DOO is registered trademark of Bombardier Recreational Products Inc.

Mercury Sport Jet Impellers

| Engine cc | Model | Year | PUMP Diameter | RECOMMENDED SOLAS IMPELLER | |
|--|-----------------|-----------|---------------|----------------------------|--------------|
| | | | | SERIES | STOCK Engine |
| Mercury V6 250HP 240HP 210HP 200HP (M2 Jet) | Speedster | 2000-2002 | 184mm | CONCORD | MC-CD-22/39 |
| | Speedster SK | 2000 | | CONCORD | MC-CD-22/39 |
| | Speedster 160 | 2004 | | CONCORD | MC-CD-22/39 |
| | Challenger 1800 | 2000-2005 | | CONCORD | MC-CD-22/39 |
| | Challenger 2000 | 2000-2005 | | CONCORD | MC-CD-22/39 |
| | Challenger X | 2004-2005 | | CONCORD | MC-CD-22/39 |
| | Sportster 1800 | 2000 | | CONCORD | MC-CD-22/39 |
| | Utopia 205 | 2002-2005 | | CONCORD | MC-CD-22/39 |
| | Utopia 185 | 2001-2005 | | CONCORD | MC-CD-22/39 |
| | Islandia | 2001-2005 | | CONCORD | MC-CD-22/39 |

Mercury SportJet is a registered trademark of Mercury Marine, Inc.

**MC-CD-22/39
for
Mercury Sportjet**



"This is a highly efficient 4-blade, Stainless Steel, progressive pitch impeller delivering excellent thrust and superior overall performance for the Mercury SportJet model jet drive."

FREE PHONE
0800 PROPSHOP
0 8 0 0 7 7 6 7 7 4

www.solas.propellers.co.nz


YAMAHA **Impellers**
 YAMAHA is registered trademark of Yamaha Corporation.

| Engine cc | Model | Year | PUMP Diameter | RECOMMENDED SOLAS IMPELLER | | | |
|-------------------|--|-----------|------------------|----------------------------|--------------------|--------------------------|--------------------------|
| | | | | SERIES | STOCK Engine | LIMITED Engine | MODIFIED Engine |
| 1812 | SHO, SHO FZR/FZS | 2008~ | 155mm | DYNAFLY | YS-DF-14/21 | YS-DF-14/21, YS-DF-15/22 | YS-DF-15/22 |
| | FX High Output | 2009~ | | CONCORD NEW | YS-CD-13/22 | YS-CD-13/22, YS-CD-14/23 | YS-CD-14/23 |
| | FX CRUISER High Output | 2009~ | | DYNAFLY | YS-DF-14/21 | YS-DF-14/21, YS-DF-15/22 | YS-DF-15/22 |
| 1300 | Wave Runner GP1300R | 2005~ | 155mm | CONCORD NEW | YS-CD-13/22 | YS-CD-13/22, YS-CD-14/23 | YS-CD-14/23 |
| | Wave Runner XLT 1200 | 2003-2004 | | DYNAFLY | YG-DF-14/20 | YG-DF-14/20, YG-DF-15/22 | YG-CD-18/22 |
| 1200 | Wave Runner GP1200R | 99-2005 | 155mm | CONCORD | YF-CD-13/19 | YF-CD-13/19 | YF-CD-14/20 |
| | Wave Runner SUV1200 | 2000-2002 | | CONCORD | YF-CD-12/18 | YF-CD-13/19 | YF-CD-14/20 |
| | Wave Runner XL1200 | 99-2003 | | CONCORD | YF-CD-13/19 | YF-CD-13/19 | YF-CD-14/20 |
| | Wave Runner GP1200 | 98-99 | | CONCORD | YD-CD-12/18 | YD-CD-12/18 | YD-CD-13/19 |
| | Wave Runner GP1200R | 97-99 | | CONCORD | YD-CD-13/19 | YD-CD-13/19 | YD-CD-14/20 |
| | | | | X Props | YD-SC-X(14.5-17.5) | YD-SC-X(14.5-17.5) | YD-SC-XI(15.5-18.5) |
| | | | | X Props | YD-SC-X(14.5-17.5) | YD-SC-X(14.5-17.5) | YD-SC-XI(15.5-18.5) |
| 1052 | FX High Output | 2004~2008 | 155mm | DYNAFLY | YG-DF-14/20 | YG-DF-14/20, YG-DF-15/22 | |
| | FX CRUISER High Output | 2004~2008 | | DYNAFLY | YG-DF-14/20 | YG-DF-14/20, YG-DF-15/22 | YG-DF-15/22 |
| | VX / VX sport / VX Deluxe / VX Crusier | 2005~ | | CONCORD | YH-CD-18/22 | YH-CD-18/22 | |
| 1100 | Wave Raider 1100 / Wave Venture 1100 | 95-97 | 155mm | CONCORD | YD-CD-12/18 | YD-CD-12/18 | YD-CD-13/19 |
| | | | | X Props | YD-SC-X(13-16) | YD-SC-X(13-16) | YD-SC-X(14.5-17.5) |
| | | | | UK SERIES | YD-SC-I(13-19) | YD-SC-I(13-19) | YD-SC-J(14-20) |
| 998 | FX-140 / FX Cruiser | 2003~ | 155mm | CONCORD | YF-CD-12/18 | YF-CD-13/19 | YF-CD-13/19 |
| 800 | Wave Runner GP800R | 2001-2005 | 155mm | CONCORD | YF-CD-11/14 | YF-CD-11/14 | |
| | Wave Runner XL800 | 2000-2004 | | CONCORD | YF-CD-11/14 | YF-CD-11/14 | |
| | Wave Runner GP800 | 98-2000 | 144mm | CONCORD | YB-CD-14/18 | YB-CD-15/19 | YB-CD-16/20 |
| | | | | X Props | YB-SC-X(15.5-18.5) | YB-SC-X(15.5-18.5) | YB-SC-XI(16-19) |
| | | | | UK SERIES | YB-SC-J(14.7-18.5) | YB-SC-J(14.7-18.5) | YB-SC-K(15-19) |
| | | | | CONCORD | YB-CD-13/17 | YB-CD-14/18 | YB-CD-15/19 |
| | | | | X Props | YB-SC-X(15-18) | YB-SC-X(15.5-18.5) | YB-SC-XI(16-19) |
| | | UK SERIES | YB-SC-I(14.5-18) | YB-SC-J(14.7-18.5) | YB-SC-K(15-19) | | |
| 760 | Wave Runner GP760 | 97-2000 | 144mm | CONCORD | YB-CD-13/17 | YB-CD-14/18 | YB-CD-15/19 |
| | | | | X Props | YB-SC-X(15-18) | YB-SC-X(15.5-18.5) | YB-SC-XI(16-19) |
| | Wave Radler 760 | 96 | 155mm | UK SERIES | YB-SC-I(14.5-18) | YB-SC-J(14.7-18.5) | YB-SC-K(15-19) |
| | Wave Runner XL760 / Wave Venture 760 | 98-99 | | CONCORD | YD-CD-11/14 | YD-CD-11/14 | YD-SC-I(13-19) |
| | | | | X Props | YD-SC-X(13-16) | YD-SC-X(13-16) | |
| | | | | UK SERIES | YD-SC-S(12-18.5) | YD-SC-S(12-18.5) | |
| | | | | CONCORD | YD-CD-11/14 | YD-CD-11/14 | |
| | | X Props | YD-SC-X(13-16) | YD-SC-X(13-16) | | | |
| | | UK SERIES | YD-SC-S(12-18.5) | YD-SC-S(12-18.5) | YD-SC-I(13-19) | | |
| 701 | VX 700 | 2006~ | 155mm | CONCORD | YH-CD-11/14 | YH-CD-11/14 | |
| | Wave Raider 700 / Wave Deluxe / Venture | 94-97 | 144mm | CONCORD | YB-CD-13/17 | YB-CD-13/17,14/18(94-95) | YB-CD-14/18,15/19(94-95) |
| | | | | X Props | YB-SC-X(15-18) | YB-SC-X(15.5-18.5) | YB-SC-XI(16-19) |
| | Wave Blaster / Wave Runner GP700 / Pro VXR | 93-97 | 144mm | UK SERIES | YB-SC-J(14.7-18.5) | YB-SC-K(15-19) | YB-SC-K(15-19) |
| | | | | CONCORD | YB-CD-13/17 | YB-CD-13/17 | YB-CD-14/18 |
| | | | | X Props | YB-SC-X(15-18) | YB-SC-X(15.5-18.5) | YB-SC-XI(16-19) |
| | | | UK SERIES | YB-SC-I(14.5-18) | YB-SC-J(14.7-18.5) | YB-SC-K(15-19) | |
| | | | 2008~ | 144mm | CONCORD | YQ-CD-12/18 | YQ-CD-13/19 |
| SuperJet | 94-2007 | CONCORD | YB-CD-13/17 | | YB-CD-13/17 | YB-CD-14/18 | |
| | | UK SERIES | YB-SC-I(14.5-18) | YB-SC-J(14.7-18.5) | YB-SC-K(15-19) | | |
| Wave Runner XL700 | 99-2005 | 155mm | CONCORD | YD-CD-11/14 | YD-CD-11/14 | | |
| 650 | Wave Runner III | 90-96 | 144mm | UK SERIES | YB-SC-S(14-17) | YB-SC-I(14-17) | YB-SC-J(14.7-18.5) |
| | SuperJet | 90-93 | | UK SERIES | YB-SC-I(14.5-18) | YB-SC-J(14.7-18.5) | YB-SC-K(15-19) |
| | VXR | 91-95 | | UK SERIES | YB-SC-S(14-17) | YB-SC-I(14.5-18) | YB-SC-J(14.7-18.5) |
| | Wave Jammer 650 / LX 650 | ALL | | Tapered | ABC SERIES | YA-SC-A(13-18) | YA-SC-A(13-18) |
| 500 | Wave Runner 500 / Wave JAMMER 500 | ALL | Tapered | ABC SERIES | YA-SC-A(13-18) | YA-SC-B(14-19) | YA-SC-B(14-19) |

 **YAMAHA** JETBOAT

| Engine cc | Model | Year | PUMP Diameter | RECOMMENDED SOLAS IMPELLER | |
|-----------|---------------------------------|-----------|---------------|----------------------------|----------------|
| | | | | SERIES | STOCK ENGINE |
| 1200 | Exciter 135 | 98-2000 | 155mm | IJK SERIES | YD-SC-I(13-19) |
| 1100(2) | Exciter 220 | 97-98 | 155mm | IJK SERIES | YD-SC-I(13-19) |
| 1200(2) | Exciter 270 | 98-2000 | | X Props | YD-SC-X(13-16) |
| 1200(2) | LS2000 / LX2000 | 1999-2002 | | IJK SERIES | YD-SC-I(13-19) |
| 1200(2) | LX210 | 2003-2005 | 155mm | CONCORD | YD-CD-12/18 |
| 1200(2) | AR210 | 2004-2005 | | X Props | YD-SC-X(13-16) |
| 1200(2) | XR1800 | 2000-2001 | | CONCORD | YD-CD-12/18 |
| 998(2) | SX 230 / SR 230 / AR 230 | 2004-2005 | 155mm | X Props | YD-SC-X(13-16) |
| | SX210 / AR210 / SR210 | 2006~ | | CONCORD | YF-CD-12/18 |
| 1052(2) | SX230 / AR230 / SR 230 | 2006 | 155mm | X Props | YF-SC-X(13-16) |
| | SX230 HO / AR230 HO / SR 230 HO | 2005~ | | CONCORD | YD-CD-12/18 |
| | | | | DYNAFLY | YG-DF-14/20 |
| | | | | CONCORD | YF-CD-13/19 |
| | | | | DYNAFLY | YG-DF-14/20 |

YAMAHA is registered trademark of Yamaha Corporation.



FREE PHONE
0800 PROPSHOP
0 8 0 0 7 7 6 7 7 4

www.solas.propellers.co.nz



Kawasaki Impellers

kawasaki is registered trademark of Kawasaki Motors Corp. USA

| Engine cc | Model | Year | PUMP Diameter | RECOMMENDED SOLAS IMPELLER | | | |
|------------|---------------------|------------------|----------------|----------------------------|----------------------------|--|----------------------------|
| | | | | SERIES | STOCK Engine | LIMITED Engine | MODIFIED Engine |
| 1498 | ULTRA 300X / 300LX | 2011~ | 160mm | CONCORD | KR-CD-14/21 ^{NEW} | KR-CD-14/21 , KR-CD-15/22 ^{NEW} | KR-CD-15/22 ^{NEW} |
| | ULTRA 260X/260LX | 2008~ | | CONCORD | KX-CD-15/23 | KX-CD-15/23,KX-CD-16/24 | KX-CD-16/24 |
| | ULTRA 250X | 2007~ | 155mm | CONCORD | KX-CD-15/23,KX-CD-16/21 | KX-CD-15/23,KX-CD-16/24 | KX-CD-16/24 |
| | ULTRA LX | 2007~ | | CONCORD | KX-CD-10/16 | KX-CD-10/16 | |
| | STX-15F | 2004~ | 148mm | CONCORD | KG-CD-14/21 | KG-CD-14/21 | KG-CD-15/21 |
| 1199 | STX-12F | 2003~ | 149mm | CONCORD | KG-CD-13/19 | KG-CD-13/19 | KG-CD-14/20 |
| 1176 | ULTRA 150 | 99-2006 | Tapered | DYNAFLY | KH-DF-16/20 | KH-DF-16/20 | KH-DF-17/21 |
| | 1200 STX-R | 2002-2006 | 148mm | CONCORD | KG-CD-15/21 | KG-CD-15/21 | KG-CD-16/22 |
| 1071 | 1100 STX DI | 2001-2003 | 148mm | DYNAFLY | KG-DF-13/25 | KG-DF-13/25 | KG-DF-14/26 |
| | | | | CONCORD | KG-CD-13/19 | KG-CD-13/19 | KG-CD-14/20 |
| | X Props | KG-SC-X(16.5-24) | | KG-SC-X(16.5-24) | KG-SC-X(17-24.5) | | |
| | CONCORD | KG-CD-13/19 | | KG-CD-13/19 | KG-CD-14/20 | | |
| | X Props | KG-SC-X(16.5-24) | | KG-SC-X(16.5-24) | KG-SC-X(17-24.5) | | |
| 1100 STX | 97-98 | | CONCORD | KG-CD-13/19 | KG-CD-13/19 | KG-CD-14/20 | |
| 1100 ZXI | 96-2003 | 148mm | CONCORD | KG-CD-13/19 | KG-CD-13/19 | KG-CD-14/20 | |
| | | 148mm | X Props | KG-SC-X(16.5-24) | KG-SC-X(16.5-24) | KG-SC-X(17-24.5) | |
| 891 | 900 STX | 2003-2006 | 148mm | CONCORD | KG-CD-12/18 | KG-CD-12/18 | KG-CD-13/19 |
| | 900 STX / STS / Zxi | 96-2002 | 140mm | X Props | KF-SC-X(16-23) | KF-SC-X(18-23.5) | KF-SC-X(19-25) |
| 782 | 800 SX-R | 2003~ | 140mm | IJK SERIES | KF-SC-I(16-21) | KF-SC-I(16-21) | KF-SC-J(17-22) |
| | | | | DYNAFLY | KP-DF-13/22 | KP-DF-14/23 | KP-DF-14/23, 15/24 |
| 743 | 750 Sxi Pro | 95-2002 | 140mm | CONCORD | KE-CD-09/15 | KE-CD-11/16 | KE-CD-11/16 |
| | | | | X Props | KE-SC-X(14-21) | KE-SC-X(14-21) | KE-SC-X(14-21) |
| | | | | IJK SERIES | KE-SC-S(13-18) | KE-SC-S(13-18) | KE-SC-I(14-19) |
| | | | | CONCORD | KE-CD-11/16 | KE-CD-12/18 | KE-CD-12/18 |
| | 750 STS | 95-2001 | | X Props | KE-SC-X(14-21) | KE-SC-X(14-21) | KE-SC-XI(16-23) |
| | | | | IJK SERIES | KE-SC-S(13-18) | KE-SC-I(14-19) | KE-SC-J(15-20) |
| | | | | CONCORD | KE-CD-11/16 | KE-CD-12/18 | KE-CD-12/18 |
| | | | | X Props | KE-SC-X(14-21) | KE-SC-X(14-21) | KE-SC-XI(16-23) |
| | 750 XI Sport | 93-2000 | | IJK SERIES | KE-SC-S(13-18) | KE-SC-I(14-19) | KE-SC-J(15-20) |
| | | | | CONCORD | KE-CD-11/16 | KE-CD-12/18 | KE-CD-12/18 |
| | | | | X Props | KE-SC-X(14-21) | KE-SC-X(14-21) | KE-SC-XI(16-23) |
| | | | | IJK SERIES | KE-SC-S(13-18) | KE-SC-I(14-19) | KE-SC-J(15-20) |
| | 750 ZXI | 95-97 | | CONCORD | KE-CD-11/16 | KE-CD-12/18 | KE-CD-12/18 |
| | | | | X Props | KE-SC-X(14-21) | KE-SC-X(14-21) | KE-SC-XI(16-23) |
| | | | | IJK SERIES | KE-SC-S(13-18) | KE-SC-I(14-19) | KE-SC-J(15-20) |
| | | | | CONCORD | KE-CD-11/16 | KE-CD-12/18 | KE-CD-12/18 |
| | 750 XI | 93-97 | | X Props | KE-SC-X(14-21) | KE-SC-X(14-21) | KE-SC-XI(16-23) |
| | | | | IJK SERIES | KE-SC-S(13-18) | KE-SC-I(14-19) | KE-SC-J(15-20) |
| | | | | CONCORD | KE-CD-09/15 | KE-CD-11/16 | KE-CD-11/16 |
| | | | | ABC SERIES | KE-SC-A(13-18) | KE-SC-B(14-19) | KE-SC-C(15-20) |
| CONCORD | | | KE-CD-11/16 | KE-CD-12/18 | KE-CD-12/18 | | |
| ABC SERIES | | | KE-SC-A(13-18) | KE-SC-B(14-19) | KE-SC-C(15-20) | | |
| CONCORD | | | KE-CD-11/16 | KE-CD-12/18 | KE-CD-12/18 | | |
| ABC SERIES | | | KE-SC-A(13-18) | KE-SC-B(14-19) | KE-SC-C(15-20) | | |
| 750 SXI | 95-96 | CONCORD | KE-CD-11/16 | KE-CD-12/18 | KE-CD-12/18 | | |
| | | ABC SERIES | KE-SC-A(13-18) | KE-SC-B(14-19) | KE-SC-C(15-20) | | |
| | | CONCORD | KE-CD-11/16 | KE-CD-12/18 | KE-CD-12/18 | | |
| | | ABC SERIES | KE-SC-A(13-18) | KE-SC-B(14-19) | KE-SC-C(15-20) | | |
| 750 SX | 92-96 | CONCORD | KE-CD-11/16 | KE-CD-12/18 | KE-CD-12/18 | | |
| | | IJK SERIES | KE-SC-I(14-19) | KE-SC-J(15-20) | KE-SC-J(15-20) | | |
| | | ABC SERIES | KE-SC-A(13-18) | KE-SC-B(14-19) | KE-SC-C(15-20) | | |
| | | CONCORD | KE-CD-11/16 | KE-CD-12/18 | KE-CD-12/18 | | |
| 750 XIR | 94 | IJK SERIES | KE-SC-I(14-19) | KE-SC-J(15-20) | KE-SC-J(15-20) | | |
| | | ABC SERIES | KE-SC-A(13-18) | KE-SC-B(14-19) | KE-SC-C(15-20) | | |
| | | CONCORD | KE-CD-11/16 | KE-CD-12/18 | KE-CD-12/18 | | |
| | | ABC SERIES | KE-SC-A(13-18) | KE-SC-B(14-19) | KE-SC-C(15-20) | | |
| 750 ST | 93-95 | CONCORD | KE-CD-11/16 | KE-CD-12/18 | KE-CD-12/18 | | |
| | | IJK SERIES | KE-SC-I(14-19) | KE-SC-J(15-20) | KE-SC-J(15-20) | | |
| | | ABC SERIES | KE-SC-A(13-18) | KE-SC-B(14-19) | KE-SC-C(15-20) | | |
| | | CONCORD | KE-CD-11/16 | KE-CD-12/18 | KE-CD-12/18 | | |
| 635 | 650 TS / 650 SX | 89-96 | IJK SERIES | KA-SC-I(13-18) | KA-SC-I(13-18) | KA-SC-J(14-19) | |
| | | | ABC SERIES | KA-SC-A(13-18) | KA-SC-B(14-19) | KA-SC-C(15-20) | |
| | 650 X-2 / 650JM | 91-96 | IJK SERIES | KA-SC-I(13-18) | KA-SC-I(13-18) | KA-SC-J(14-19) | |
| | | | ABC SERIES | KA-SC-A(13-18) | KA-SC-B(14-19) | KA-SC-C(15-20) | |
| 550 | 550 SX | 90-96 | Tapered | ABC SERIES | KD-SC-A(13-18) | KD-SC-B(14-19) | KD-SC-B(14-19) |
| | 550 JS | 82-89 | | ABC SERIES | KB-SC-A(13-18) | KB-SC-B(14-19) | KB-SC-B(14-19) |
| 440 | 440 JS | 77-94 | 121mm | ABC SERIES | KC-SC-A(13-18) | KC-SC-B(14-19) | KC-SC-B(14-19) |

Note: KG-CD-14/21 is the recommended impeller for KAWASAKI STX 15F (4-STROKE).



HONDA Impellers

Honda is registered trademark of Honda Motors Co., Inc.

| Engine cc | Model | Year | PUMP Diameter | RECOMMENDED SOLAS IMPELLER | | | |
|-----------|-----------------------|-----------|---------------|----------------------------|--------------|----------------|-----------------|
| | | | | SERIES | STOCK Engine | LIMITED Engine | MODIFIED Engine |
| 1235 | R-12X | 2004-2007 | 155mm | CONCORD | HA-CD-17/29 | HA-CD-17/29 | HA-CD-18/30 |
| | F-12X / F-12X GPScape | 2002~ | | CONCORD | HA-CD-17/29 | HA-CD-17/29 | HA-CD-18/30 |
| 1235 | R-12 | 2004-2004 | | CONCORD | HA-CD-09/18 | HA-CD-09/18 | |
| | F-12 | 2002-2004 | | CONCORD | HA-CD-09/18 | HA-CD-09/18 | |



POLARIS Impellers

Polaris is registered trademark of Polaris Industries Inc.

| Engine cc | Model | Year | PUMP Diameter | RECOMMENDED SOLAS IMPELLER | | | |
|-------------------------------|-------------------------------|-------------------|---------------|----------------------------|--------------------|--------------------|--------------------|
| | | | | SERIES | STOCK Engine | LIMITED Engine | MODIFIED Engine |
| 750 | MSX 150 | 2003-2004 | 148mm | CONCORD | PA-CD-13/19 | PA-CD-13/19 | PA-CD-14/20 |
| | MSX 110 | 2003-2004 | | CONCORD | PA-CD-12/18 | PA-CD-12/18 | PA-CD-12/18 |
| 1192 | MSX 140 | 2003-2004 | 148mm | CONCORD | PA-CD-15/21 | PA-CD-15/21 | PA-CD-16/22 |
| 1165 | Pro 1200 | 2000-2002 | 148mm | CONCORD | PA-CD-15/21 | PA-CD-16/22 | PA-CD-16/22 |
| | | | | X props | PA-SC-X0(16.5-23) | PA-SC-XI(17-24) | PA-SC-XII(15.5-26) |
| | IJK SERIES | PA-SC-I(15-24) | | | | | |
| | CONCORD | PA-CD-15/21 | | PA-CD-16/22 | PA-CD-16/22 | | |
| | X props | PA-SC-X0(16.5-23) | | PA-SC-XI(17-24) | PA-SC-XII(15.5-26) | | |
| | IJK SERIES | PA-SC-I(15-24) | | PA-SC-I(15-24) | | | |
| VIRAGE TX / VIRAGE Tx i | 2000-2002 | 2000 | X props | PA-SC-X0(16.5-23) | PA-SC-XI(17-24) | PA-SC-XII(15.5-26) | |
| | | | IJK SERIES | PA-SC-I(15-24) | PA-SC-I(15-24) | | |
| Genesis FFI, | 2000 | 99-2004 | X props | PA-SC-X0(16.5-23) | PA-SC-XI(17-24) | PA-SC-XII(15.5-26) | |
| Genesis / Genesis i | | | IJK SERIES | PA-SC-I(15-24) | PA-SC-I(15-24) | | |
| 1050 | SL / SLX / SLXH / SLTX 1050 | 97-98 | 148mm | CONCORD | PA-CD-14/20 | PA-CD-15/21 | PA-CD-15/21 |
| | | | | X props | PA-SC-X(14-21) | PA-SC-X0(16.5-23) | PA-SC-X0(16.5-23) |
| | | | | IJK SERIES | PA-SC-S(14-23) | PA-SC-I(15-24) | PA-SC-I(15-24) |
| 900 | SL900 | 96-97 | 148mm | CONCORD | PA-CD-13/19 | PA-CD-14/20 | PA-CD-14/20 |
| | | | | X props | PA-SC-X(14-21) | PA-SC-X0(16.5-23) | PA-SC-X0(16.5-23) |
| | | | | IJK SERIES | PA-SC-S(14-23) | PA-SC-I(15-24) | PA-SC-I(15-24) |
| 779 | SLX Pro 785 / SL780 / SLT 780 | 96-2001 | 148mm | CONCORD | PA-CD-12/18 | PA-CD-13/19 | PA-CD-14/20 |
| | | | | X props | PA-SC-X(14-21) | PA-SC-X0(16.5-23) | PA-SC-X0(16.5-23) |
| | | | | IJK SERIES | PA-SC-S(14-23) | PA-SC-I(15-24) | PA-SC-I(15-24) |
| 777 | VIRAGE I | 2002-2204 | 148mm | CONCORD | PA-CD-12/18 | PA-CD-13/19 | PA-CD-13/19 |
| | OCTANE | 2002-2004 | | CONCORD | PF-CD-15/23 | PF-CD-16/24 | PF-CD-16/24 |
| 744 | SL 750 / SLT 750 / SL750 | 94-95 | 148mm | CONCORD | PA-CD-12/18 | PA-CD-12/18 | PA-CD-13/19 |
| | | | | IJK SERIES | PA-SC-S(14-23) | PA-SC-S(14-23) | |
| 700 | VIRAGE / FREEDOM | 2000-2004 | 148mm | CONCORD | PA-CD-12/18 | PA-CD-12/18 | PA-CD-13/19 |
| | | | | IJK SERIES | PA-SC-S(14-23) | PA-SC-S(14-23) | |
| | SLH | 98-2001 | | CONCORD | PA-CD-12/18 | PA-CD-12/18 | PA-CD-13/19 |
| | | | | IJK SERIES | PA-SC-S(14-23) | PA-SC-S(14-23) | |
| SL 700DLX / SL700 / Hurricane | 96-97 | CONCORD | PA-CD-12/18 | PA-CD-12/18 | PA-CD-13/19 | | |
| | | | IJK SERIES | PA-SC-S(14-23) | PA-SC-S(14-23) | | |

FREE PHONE
0800 PROPSHOP
0 8 0 0 7 7 6 7 7 4

www.solas.propellers.co.nz

TIGERSHARK Impellers

TIGERSHARK is registered trademark of Tigershark Co., Inc.

| Engine cc | Model | Year | PUMP Diameter | RECOMMENDED SOLAS IMPELLER | | | | | |
|------------------|----------------------|------------|--------------------|----------------------------|--------------------|---------------------|--------------------|---------------------|------------------|
| | | | | SERIES | STOCK Engine | LIMITED Engine | MODIFIED Engine | | |
| 1100 | TS 1100R / TS 1100LI | 99 | 148mm | CONCORD | PA-CD-14/20 | PA-CD-14/20 | PA-CD-15/21 | | |
| 999 | TS 1000L / TS 1000R | 98-99 | 146mm | X prop | TB-SC-X(15-18) | TB-SC-X0(15.5-18.5) | TB-SC-XI(16-19) | | |
| | | | | IJK Series | TB-SC-I(15.5-19.5) | TB-SC-J(16-20.5) | TB-SC-K(16-21) | | |
| | TS 1000R | 98 | | X prop | TB-SC-X(15-18) | TB-SC-X0(15.5-18.5) | TB-SC-XI(16-19) | | |
| | | | | IJK Series | TB-SC-I(15.5-19.5) | TB-SC-J(16-20.5) | TB-SC-K(16-21) | | |
| | Daytona 1000R | 98 | | X prop | TB-SC-X(15-18) | TB-SC-X0(15.5-18.5) | TB-SC-XI(16-19) | | |
| | | | | IJK Series | TB-SC-I(15.5-19.5) | TB-SC-J(16-20.5) | TB-SC-K(16-21) | | |
| | | | | Daytona 1000 | 97 | X prop | TB-SC-X(15-18) | TB-SC-X0(15.5-18.5) | TB-SC-XI(16-19) |
| | | | | | | IJK Series | TB-SC-I(15.5-19.5) | TB-SC-J(16-20.5) | TB-SC-K(16-21) |
| Monte Carlo 1000 | 97 | X prop | TB-SC-X(15-18) | TB-SC-X0(15.5-18.5) | TB-SC-XI(16-19) | | | | |
| | | IJK Series | TB-SC-I(15.5-19.5) | TB-SC-J(16-20.5) | TB-SC-K(16-21) | | | | |
| 896 | Monte Carlo 900 | 96 | 146mm | X prop | TB-SC-X(15-18) | TB-SC-X0(15.5-18.5) | TB-SC-XI(16-19) | | |
| 768 | TS 770R / TS 770R | 98-99 | 146mm | IJK Series | TB-SC-I(15.5-19.5) | TB-SC-J(16-20.5) | TB-SC-K(16-21) | | |
| | | | | X prop | TB-SC-X(15-18) | TB-SC-X0(15.5-18.5) | TB-SC-XI(16-19) | | |
| | TS 770 | 98-99 | | X prop | TB-SC-X(15-18) | TB-SC-X0(15.5-18.5) | TB-SC-XI(16-19) | | |
| | | | | IJK Series | TB-SC-I(15.5-19.5) | TB-SC-J(16-20.5) | TB-SC-K(16-21) | | |
| | Daytona 770R / 770 | 98 | | X prop | TB-SC-X(15-18) | TB-SC-X0(15.5-18.5) | TB-SC-XI(16-19) | | |
| | | | | IJK Series | TB-SC-I(15.5-19.5) | TB-SC-J(16-20.5) | TB-SC-K(16-21) | | |
| | | | | Monte Carlo 770 | 96-97 | X prop | TB-SC-X(15-18) | TB-SC-X0(15.5-18.5) | TB-SC-XI(16-19) |
| | | | | | | IJK Series | TB-SC-I(15.5-19.5) | TB-SC-J(16-20.5) | TB-SC-K(16-21) |
| 639 | TS 640/640L | 98-99 | 146mm | IJK Series | TB-SC-I(15.5-19.5) | TB-SC-J(16-20.5) | TB-SC-K(16-21) | | |
| | Montego | 97~ | | IJK Series | TB-SC-I(15.5-19.5) | TB-SC-J(16-20.5) | TB-SC-K(16-21) | | |
| | Montego Deluxe | 96-97 | | IJK Series | TB-SC-I(15.5-19.5) | TB-SC-J(16-20.5) | TB-SC-K(16-21) | | |
| | Monte Carlo 640 | 96-97 | | IJK Series | TB-SC-I(15.5-19.5) | TB-SC-J(16-20.5) | TB-SC-K(16-21) | | |
| | Daytona 640 | 94-95 | 142mm | IJK Series | TA-SC-I(14.5-18) | TA-SC-I(14.5-18) | TA-SC-J(15.5-19) | | |
| | | | | IJK Series | TA-SC-I(14.5-18) | TA-SC-I(14.5-18) | TA-SC-J(15.5-19) | | |
| | | | | Montego | 94-96 | IJK Series | TA-SC-I(14.5-18) | TA-SC-I(14.5-18) | TA-SC-J(15.5-19) |
| | | | | Montego Deluxe | 95-97 | IJK Series | TA-SC-I(14.5-18) | TA-SC-I(14.5-18) | TA-SC-J(15.5-19) |
| | | | | Monte Carlo 640 | 94-95 | IJK Series | TA-SC-I(14.5-18) | TA-SC-I(14.5-18) | TA-SC-J(15.5-19) |
| | | | | Barracuda | 94-95 | IJK Series | TA-SC-I(14.5-18) | TA-SC-I(14.5-18) | TA-SC-J(15.5-19) |

FREE PHONE
0800 PROPSHOP
0 8 0 0 7 7 6 7 7 4







www.solas.propellers.co.nz



Jet Pump

SEA DOO is registered trademark of Bombardier Recreational Products Inc.

| Engine cc | Model | Year | IMPELLER APPLICATION | RECOMMENDED SOLAS PUMP |
|-----------|---------------------------------------|-----------|----------------------|---|
| 1494 | GTX 4-tech Limited Supercharge(185HP) | 2003-2004 | SOLAS SR CONCORD |  SR-HSV-155/83(12 VANE) |
| | GTX 4-tech Supercharge(185HP) | 2003-2006 | | |
| | GTS SE 155/ RXP(155HP) | 2007~ | | |
| | GTX 4-tech / GTX wake | 2002~ | | |
| | GTI/ GTI SE 130 | 2006~ | | |
| 1494 | RXP(215HP) | 2004~ | SOLAS SRX CONCORD |  SRX-HS-159-02 (Original Wear Ring Replacement) |
| | RXT(215HP) | 2005~ | | |
| | GTX Limited(215HP) | 2005~ | | |
| | WAKE SUPERCHARGED(215HP) | 2007~ | | |
| 951 | RXX | 2001-2002 | SOLAS ST CONCORD |  ST-HSV-155/83(12 VANE) |
| | XP / XP DI | 2000-2004 | | |
| | RX / RX DI | 2000-2003 | | |
| | GTX/GTX DI | 2000-2003 | | |
| | GSX Ltd. / GTX Ltd. / XP Ltd. | 98-99 | | |
| | LRV / LRV DI | 99-2003 | | |
| | GSX Ltd. | 97 | | |
| 782 | 3D / 3D BASE | 2005-2007 | | |
| 720 | GTI / GTI LE / GTI RFI | 2001-2005 | SOLAS SD IMPELLERS |  SD-PM-140/60(6VANE) SD-PM-140/60T (6VANE & WITH TRIM SYSTEM) |
| | GTS | 2001-2002 | | |
| 782 | GSX RFI / GTX RFI | 99-2000 | | |
| | XP / SPX / GSX | 96-98 | | |
| | GTX / GTX PRO | 96-98 | | |
| 720 | GS | 2000-2001 | | |
| | GTI / GTI LE / GTI RFI | 2001-2005 | | |
| | GTS | 2001-2002 | | |
| | XP / SPX | 95-97 | | |
| | GS / GSI | 97-99 | | |
| | GTI / GTS | 96-2000 | | |
| | HX | 95~ | | |
| 650 | XP | 93-94 | | |
| | SPX | 94-95 | | |
| | GSX | 94-95 | | |
| | GTX | 94-95 | | |
| | XP | 91-92 | | |
| 580 | SPX | 93 | | |
| | SPI | 93-96 | | |
| | SP | 88-96 | | |
| | GSX | 92-93 | | |
| | GTX | 92-93 | | |
| | GTS | 92-96 | | |
| | GT | 90-91 | | |

The impeller is an optional part.

FREE PHONE
0800 PROPSHOP
0 8 0 0 7 7 6 7 7 4

www.solas.propellers.co.nz



YAMAHA Jet Pump

YAMAHA is registered trademark of Yamaha Corporation.

| Engine cc | Model | Year | IMPELLER APPLICATION | RECOMMENDED SOLAS PUMP |
|-----------|--|-----------|--|--|
| 1052 | FX High Output | 2004~ | SOLAS YF IMPELLER |  YFS-HS-155 |
| | FX CRUISER High Output | 2004~ | | |
| 998 | FX-140 / FX Cruiser | 2003~ | | |
| 1300 | Wave Runner GP1300R | 2003~ | | |
| | Wave Runner XLT 1200 | 99-2005 | | |
| 1200 | Wave Runner GP1200R | 2000-2002 | | |
| | Wave Runner SUV1200 | 99-2003 | | |
| | Wave Runner XL1200 | 98-99 | | |
| 800 | Wave Runner GP800R | 2001-2005 | | |
| | Wave Runner XL800 | 2000-2004 | | |
| 1200 | Wave Runner GP1200 | 97-99 | SOLAS YD IMPELLER |  YDS-HS-155 |
| | Wave Runner GP1200R | 99 | | |
| 1100 | Wave Raider 1100 / Wave Venture 1100 | 95-97 | | |
| 760 | Wave Runner XL760 / Wave Venture 760 | 98-99 | | |
| | Wave Blaster II | 96-97 | | |
| 701 | Wave Runner XL700 | 99-2005 | | |
| 800 | Wave Runner GP800 | 98-2000 | SOLAS YP IMPELLER YPS-CD-15/23 YPS-CD-16/24 |  YPS-PM-140/74(12 VANE) |
| | Wave Runner XL800 | 98-99 | | |
| 760 | Wave Runner GP760 | 97-2000 | | |
| | Wave Radier 760 | 96 | | |
| 701 | Wave Raider 700 / Wave Deluxe / Venture | 94-97 | Accessories: Seal: SL007/SL009 Wrench: WR007 | |
| | Wave Blaster / Wave Runner GP700 / Pro VXR | 93-97 | | |
| | SuperJet | 94-2007 | | |

The impeller is an optional part.

FREE PHONE
0800 PROPSHOP
0 8 0 0 7 7 6 7 7 4

www.solas.propellers.co.nz

Kawasaki Jet Pump

kawasaki is registered trademark of Kawasaki Motors Corp. USA

| Engine cc | Model | Year | IMPELLER APPLICATION | RECOMMENDED SOLAS PUMP |
|-----------|-------------|-----------|----------------------|--|
| 1498 | STX-15F | 2004~ | SOLAS KG CONCORD |  KGS-HSV-148/74(12VANE) |
| 1199 | STX-12F | 2003~ | | |
| 1176 | 1200 STX-R | 2002-2006 | | |
| | 1100 STX DI | 2001-2003 | | |
| 1071 | 1100 STX | 97-98 | | |
| | 1100 ZXI | 96-2003 | | |
| 891 | 900 STX | 2003-2006 | | |
| 782 | 800 SX-R | 2003~ | SOLAS KP DYNAFLY |  KPS-PM-140/74T (12 VANE WITH TRIM SYSTEM) |

The impeller is an optional part.

FREE PHONE
0800 PROPSHOP
0 8 0 0 7 7 6 7 7 4

www.solas.propellers.co.nz

SEA DOO Intake Grates

| Engine cc | Model | Year | INTAKE GRATE |
|------------|--------------------|-----------|--|
| 1494 | RXP(215HP) | 2004~ |  SS0205 |
| | RXT | 2005~ |  SS0206 |
| | GTX | 2004~ | |
| | GTX DI | 2002~2003 | |
| 951 | RXX | 2001-2002 |  XP-IG-B |
| | XP/XP DI | 2000-2004 | |
| | XP Ltd. | 98-99 | |
| RX / RX DI | 2000-2003 | | |
| 782 | XP | 97-98 |  GSX-IG-B |
| 720 | GTI/GTI LE/GTI RFI | 2001-2005 | |
| 951 | GTS | 2001-2002 |  GTX-IG-B |
| | GTX Ltd. | 98-99 | |
| | GTX/GTX DI | 2000-2001 | |
| | GSX Ltd. | 98-99 | |
| | LRV / LRV DI | 99-2003 | |
| 720 | GSX Ltd. | 97 |  SD-IG-B |
| | GS | 2000-2001 | |
| | GSX RFI | 99-2000 | |
| | GTX RFI | 99-2002 | |
| 782 | GTX PRO | 98 |  SD-IG-B |
| | GSX | 96-98 | |
| | GS | 98-99 | |
| | XP | 95-96 | |
| 720 | SPX | 97-98 |  SD-IG-B |
| | XP | 95 | |
| | SPX | 96 | |
| | SPX | 97 | |
| | GS | 97 | |
| | GSI | 97-98 | |
| | GTI | 96-2000 | |
| | GTS | 97-2000 | |
| | HX | 95~ | |
| | 650 | XP | |
| SPX | | 94-95 | |
| GSX | | 94-95 | |
| GTX | | 94-95 | |
| XP | | 91-92 | |
| SPX | | 93 | |
| SPI | | 93-96 | |
| SP | | 88-96 | |
| GSX | | 92-93 | |
| GTX | | 92-93 | |
| GTS | 92-96 | | |
| GT | 90-91 | | |

SEA DOO is registered trademark of Bombardier Recreational Products Inc.

FREE PHONE
0800 PROPSHOP
0800 776 774



YAMAHA Intake Grates

| Engine cc | Model | Year | INTAKE GRATE |
|-----------|------------------------|-------|---|
| 1052 | FX High Output | 2004~ |  SY0303 |
| | FX CRUISER High Output | 2004~ | |
| 701 | Wave Blaster | 93-97 |  YB-IG-B |
| | Superjet | 94~ | |

YAMAHA is registered trademark of Yamaha Corporation.

Kawasaki Intake Grates

| Engine cc | Model | Year | INTAKE GRATE |
|-----------|--------------|-----------|---|
| 1176 | ULTRA 150 | 99-2006 |  KH-IG-B |
| 1071 | ULTRA 130 DI | 2001-2006 | |
| 750 | 750 SX | 92-96 |  KE-IG-B |
| | 750 SXi | 95-96 | |
| | 750 XiR | 94 | |

kawasaki is registered trademark of Kawasaki Motors Crop. USA

FREE PHONE
0800 PROPSHOP
0 8 0 0 7 7 6 7 7 4

HONDA Intake Grates

| Engine cc | Model | Year | INTAKE GRATE |
|------------|-------|-----------|--|
| 1235 Turbo | F-12X | 2002-2007 |  HW1-IG-B |
| 1235 | F-12 | 2002-2007 | |

Honda is registered trademark of Honda Motors Co., Inc.

POLARIS Intake Grates

| Engine cc | Model | Year | INTAKE GRATE |
|-----------|-------------|-----------|---|
| 1165 | Pro 1200 | 2000-2002 |  PL-IG-B |
| | VIRAGE TX | 2000-2002 | |
| | VIRAGE TXI | 2001-2002 | |
| 1050 | SL 1050 | 97 | |
| | SLX 1050 | 99 | |
| | SLXH 1050 | 98 | |
| | SLTX | 96-98 | |
| 900 | SL900 | 96-97 | |
| | SLX Pro 785 | 96-2001 | |
| 779 | SL 780 | 96-97 | |
| | SLT 780 | 96-97 | |
| 777 | VIRAGE I | 2002-2004 | |
| | SL 750 | 94-95 | |
| 744 | SLT 750 | 94-95 | |
| | SL750 | 93 | |
| | VIRAGE | 2000-2004 | |
| 700 | SLH | 98-2001 | |
| | SL 700DLX | 97 | |
| | SL 700 | 96-97 | |
| | Hurricane | 96-97 | |

Polaris is registered trademark of Polaris Industries Inc.

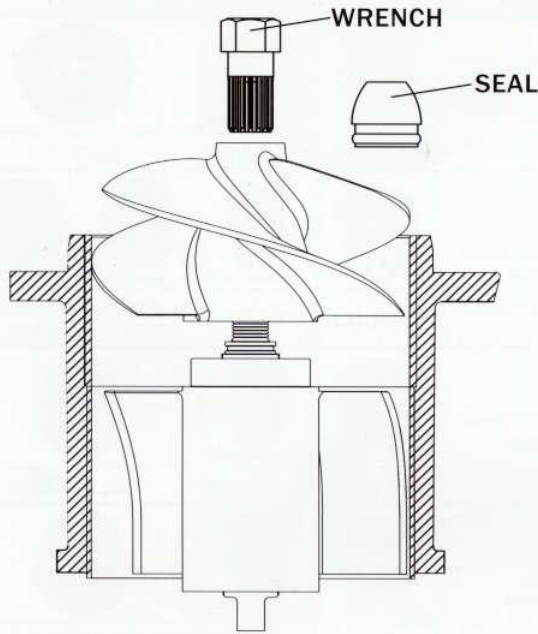
FREE PHONE
0800 PROPSHOP
0800 776 774

www.solas.propellers.co.nz



SEA DOO is registered trademark of Bombardier Recreational Products Inc.

Impeller Accessories & Installation Guide



1. Remove and separate the whole jet pump from the PWC.
2. Remove the trail cone (or cap) from the stator.
3. Hold the rear end of the shaft with a bench vise.
Remove the impeller with an impeller wrench (optional part).
Turning counter clockwise will loosen the impeller.
4. Visually inspect thread on shaft & impeller for debris or damage. Apply grease or anti-seize on the thread before installation.
5. Screw in the impeller by hand; please be careful of the sharp edges of the impeller. Tighten with the impeller wrench. If the impeller feels too tight or not threaded properly, unscrew the impeller, clean and check the thread.
6. Assemble the pump and refill O/E pump oil or grease to spec.

FREE PHONE
0800 PROPSHOP
0 8 0 0 7 7 6 7 7 4

| SEA DOO | | |
|---------------------------------|-------------------|---|
| Impeller Series | Wrench | Seal |
| SD Super Camber(ABC Series) | optional part | |
| | WR001 | SL007 |
| SD Super Camber (IJK Series) | optional part | |
| | WR001 | SL007 |
| SD, ST Xprop Series | optional part | |
| | WR001 | SL007 |
| SD, SF, ST Concord Series | optional part | |
| | WR001 | SL007 |
| ST Dynafly Series | optional part | |
| | WR001 | SL007 |
| SR Concord Series | optional part | |
| | WR011 | SLA011(For shaft 24mm) SLA011A(For shaft 27mm) |
| SRX Concord Series | optional part | |
| | WR012 | SLA012 |

* Some of wrenches are the optional part. You can buy them from SOLAS local dealer.

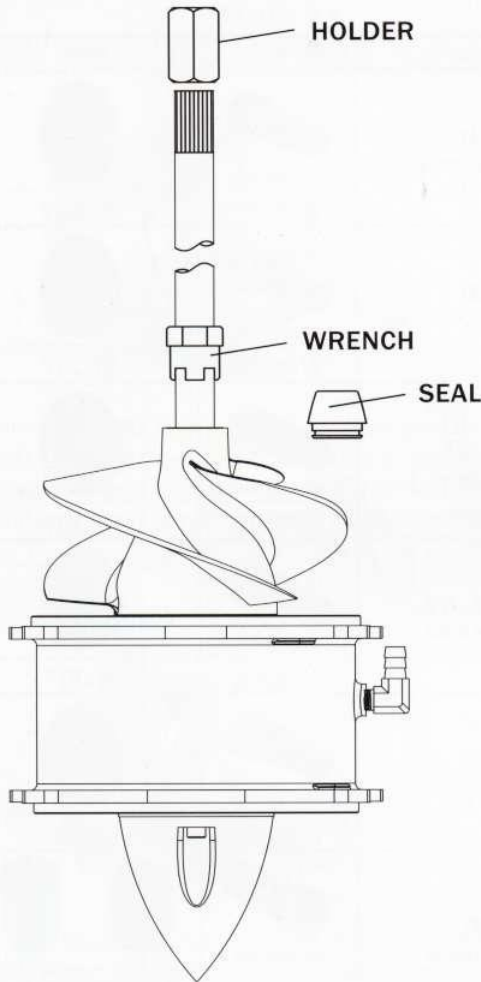
* This installation guide is suggested for reference only.
(Please refer to your original service manual or contact your PWC Dealer for detail.)



YAMAHA

YAMAHA is registered trademark of Yamaha Corporation.

Impeller Accessories & Installation Guide



| YAMAHA | | | |
|---|--------|-------------------|--|
| Impeller Series | Wrench | HOLDER | Seal |
| YA Super Camber(ABC Series) | | optional part | |
| | WR003 | WR003H | SL003 |
| YB Super Camber (IJK Series) Xprop Series Concord Series | | optional part | SLA008 SL008A |
| | WR004 | WR004H | SLA008(For shaft 18mm) SL008A(For shaft 15mm) |
| YD Super Camber (IJK Series) Xprop Series | | optional part | |
| | WR004 | WR004H | SLA008 |
| YD Concord Series | | optional part | |
| | WR007 | WR007H | SLA009A |
| YF Concord Series Xprop Series | | optional part | |
| | WR007 | WR007H | SLA009 |
| YG Dynaflly Series | | optional part | |
| | WR007 | WR007H | SLA009 |
| YS Dynaflly Series | | optional part | |
| | WR014 | WR014H | SLA014 |

1. Remove and separate the whole jet pump from the PWC.
2. Hold the front end of the drive shaft with a shaft holder (optional part) on bench vise.
3. Remove the impeller (a free impeller wrench is included when purchase a new SOLAS Impeller) .Turning clockwise will loosen the impeller.
4. Visually inspect thread on shaft & impeller for debris or damage. Apply grease or anti-seize on the thread before installation.
5. Screw in the impeller by hand; please be careful of the sharp edges of the impeller. Tighten with the impeller wrench. If the impeller feels too tight or not threaded properly, unscrew the impeller, clean and check the thread.
6. Assemble the pump and refill O/E pump oil or grease to spec.

* Some of holders are the optional part. You can buy them from SOLAS local dealer.

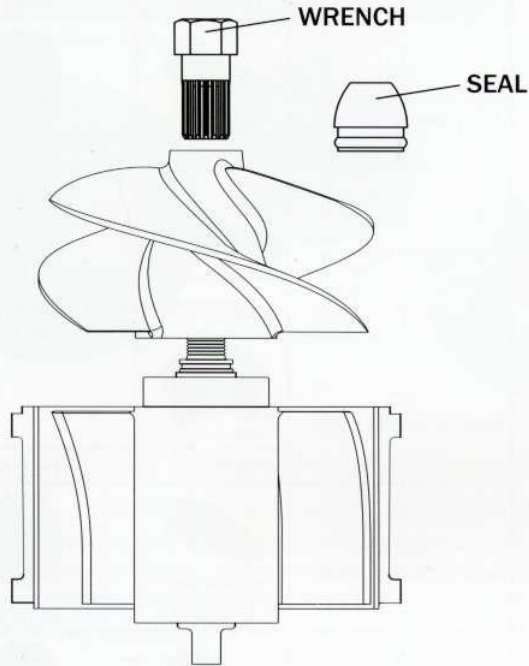
* This installation guide is suggested for reference only.
(Please refer to your original service manual or contact your PWC Dealer for detail.)



YAMAHA

YAMAHA is registered trademark of Yamaha Corporation.

Impeller Accessories & Installation Guide



YH kits are for 2005/2006 VX110 / VX110 SPORT and VX700 (2006~)

| YAMAHA | | |
|----------------------|--|---|
| Impeller Series | Wrench | Seal |
| YH Concord Series |  optional part |  |
| | WR001 | SLA009 |

*Some of wrenches are the optional part. You can buy them from SOLAS local dealer.

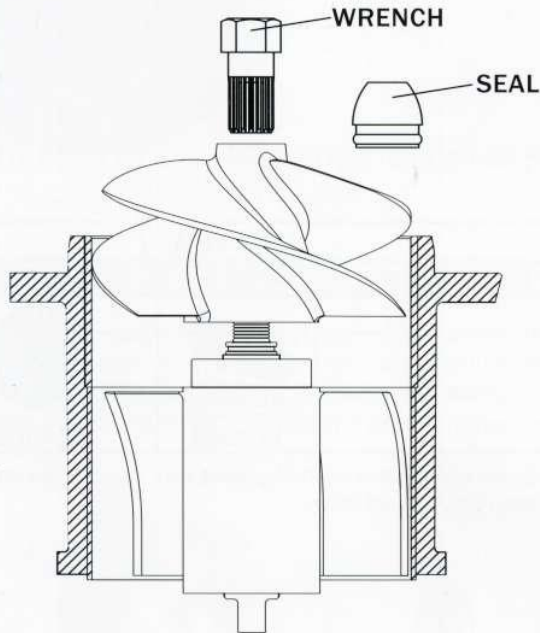
FREE PHONE
0800 PROPSHOP
0 8 0 0 7 7 6 7 7 4

1. Remove and separate the whole jet pump from the PWC.
2. Remove the trail cone (or cap) from the stator.
3. Hold the rear end of the shaft with a bench vise. Remove the impeller with an impeller wrench (optional part). Turning counter clockwise will loosen the impeller.
4. Visually inspect thread on shaft & impeller for debris or damage. Apply grease or anti-seize on the thread before installation.
5. Screw in the impeller by hand; please be careful of the sharp edges of the impeller. Tighten with the impeller wrench. If the impeller feels too tight or not threaded properly, unscrew the impeller, clean and check the thread.
6. Assemble the pump and put it back on the PWC.

*This installation guide is suggested for reference only.
(Please refer to your original service manual or contact your PWC Dealer for detail.)

Kawasaki Impeller Accessories & Installation Guide

SEA DOO is registered trademark of Bombardier Recreational Products Inc.



1. Remove and separate the whole jet pump from the PWC.
2. Remove the trail cone (or cap) from the stator.
3. Hold the rear end of the shaft with a bench vise.
Remove the impeller with an impeller wrench (optional part).
Turning counter clockwise will loosen the impeller.
4. Visually inspect thread on shaft & impeller for debris or damage. Apply grease or anti-seize on the thread before installation.
5. Screw in the impeller by hand; please be careful of the sharp edges of the impeller. Tighten with the impeller wrench. If the impeller feels too tight or not threaded properly, unscrew the impeller, clean and check the thread.
6. Assemble the pump and put it back on the PWC.

* Some of wrenches and seals are the optional part. You can buy them from SOLAS local dealer.

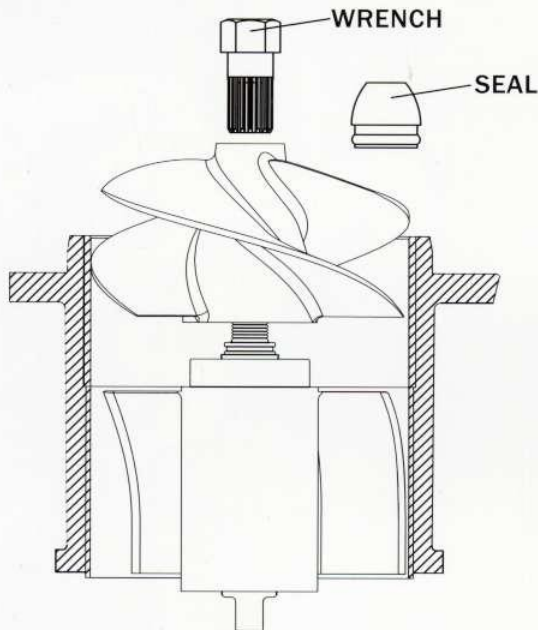
* This installation guide is suggested for reference only.
(Please refer to your original service manual or contact your PWC Dealer for detail.)

www.solas.propellers.co.nz

| KAWASAKI | | |
|---|----------------------------|--|
| Impeller Series | Wrench | Seal |
| KA Super Camber(ABC Series) Super Camber(IJK Series) | optional part WR001 | SL009 |
| KB Super Camber(ABC Series) | WR002 | SL002 |
| KC Super Camber(ABC Series) | optional part WR005 | ORIGINAL |
| KD Super Camber(ABC Series) | optional part WR001 | SL009 |
| KE Super Camber(ABC Series) Super Camber(IJK Series) Xprop Series Concord Series | optional part WR001 | SL009 |
| KF Super Camber (IJK Series) Xprop Series | optional part WR001 | SL009 SLA009* SL009, SLA009* |
| KG Xprop Series Concord Series | optional part WR001 | SL009 SLA009 SL009, SLA009* |
| KH Dynaflly Series | optional part WR001 | SL007 |
| KP Concord Series Dynaflly Series | optional part WR001 | SL009 |
| KX Concord Series | optional part WR001 | SL009 |

* Some of wrenches are the optional part. You can buy them from SOLAS local dealer.

TIGERSHARK Impeller Accessories & Installation Guide



1. Remove and separate the whole jet pump from the PWC.
2. Remove the trail cone (or cap) from the stator.
3. Hold the rear end of the shaft with a bench vise.
Remove the impeller with an impeller wrench (optional part).
Turning counter clockwise will loosen the impeller.
4. Visually inspect thread on shaft & impeller for debris or damage. Apply grease or anti-seize on the thread before installation.
5. Screw in the impeller by hand; please be careful of the sharp edges of the impeller. Tighten with the impeller wrench. If the impeller feels too tight or not threaded properly, unscrew the impeller, clean and check the thread.
6. Assemble the pump and put it back on the PWC.

www.solas.propellers.co.nz

* This installation guide is suggested for reference only.
(Please refer to your original service manual or contact your PWC Dealer for detail.)

| HONDA | | |
|--|--|---|
| Impeller Series | Wrench | Seal |
| HA Concord Series |  optional part |  |
| | WR001 | SLA010 |
| POLARIS | | |
| Impeller Series | Wrench | Seal |
| PL Super Camber (ABC Series) Super Camber (IJK Series) |  optional part |  |
| | WR006 | SL006 |
| PA Super Camber (ABC Series) Super Camber (IJK Series) Xprop Series Concord Series |  optional part |  SL006 SL012 |
| | WR006 | SL006, SL012 |
| PF Concord Series |  optional part |  |
| | WR006 | SL009 |
| TIGER SHARK | | |
| Impeller Series | Wrench | Seal |
| TA Super Camber (IJK Series) | | ORIGINAL |
| | | |
| TB Super Camber (IJK Series) Xprop Series |  optional part |  |
| | WR006 | SL009 |

* Some of wrenches and seals are the optional part. You can buy them from SOLAS local dealer.